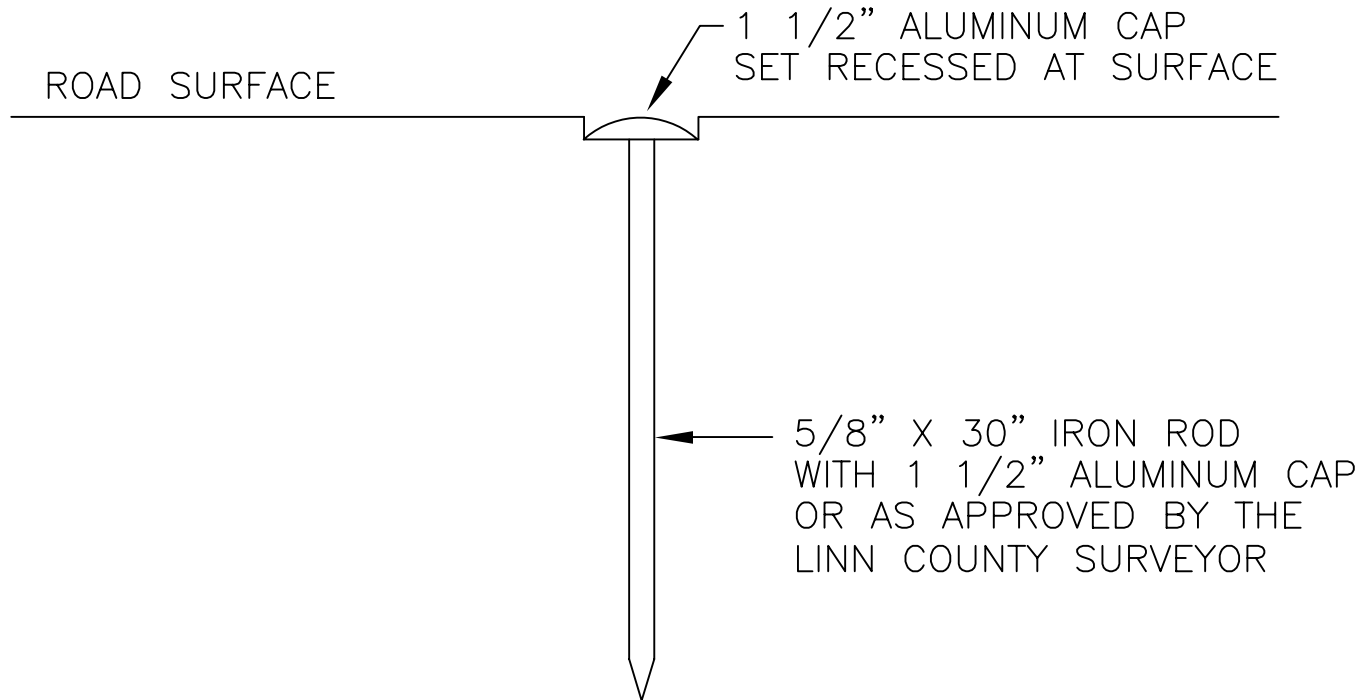


REQUIRED MONUMENTS WITHIN
SUBDIVISIONS ON ROAD CENTERLINES
BY LINN COUNTY SURVEYOR
MAY 5, 2006



NOTE:

1. ALL CENTERLINE MONUMENTS (PC, PT, INTERSECTION AND ANGLE POINTS) SHALL BE A 5/8" X 30" IRON ROD WITH A 1 1/2" ALUMINUM CAP OR AS APPROVED BY THE LINN COUNTY SURVEYOR.
2. PLASTIC CAP MONUMENTS WILL NO LONGER BE ACCEPTED DUE TO EXCESSIVE WEAR AND VANDALISM.