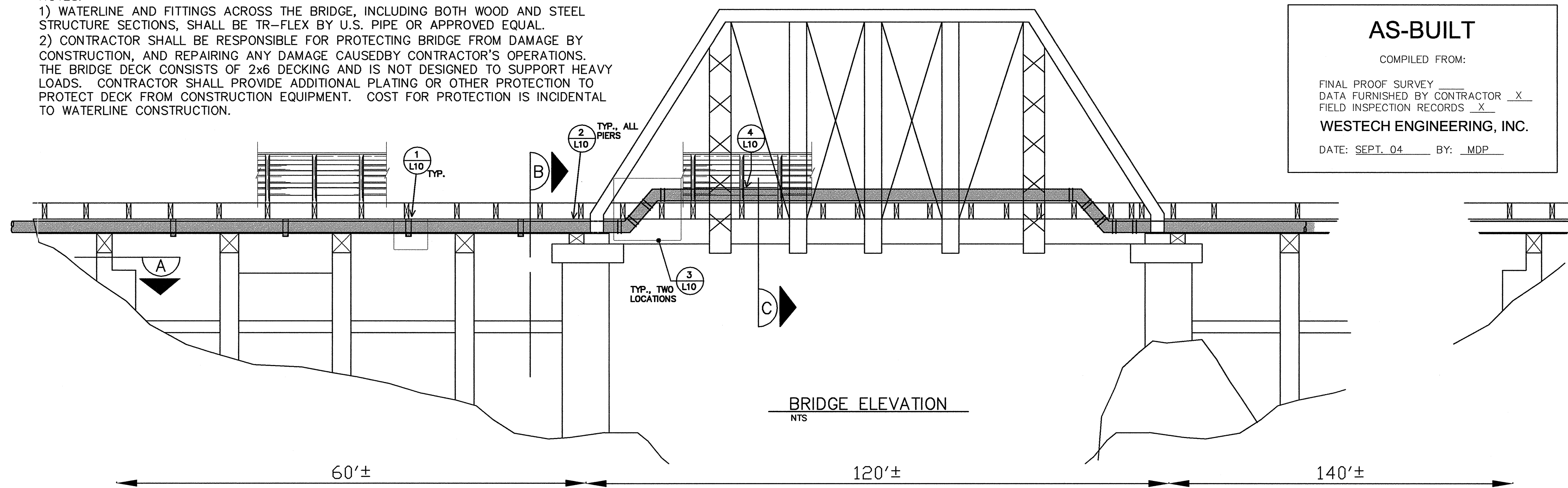


NOTES:

- 1) WATERLINE AND FITTINGS ACROSS THE BRIDGE, INCLUDING BOTH WOOD AND STEEL STRUCTURE SECTIONS, SHALL BE TR-FLEX BY U.S. PIPE OR APPROVED EQUAL.
- 2) CONTRACTOR SHALL BE RESPONSIBLE FOR PROTECTING BRIDGE FROM DAMAGE BY CONSTRUCTION, AND REPAIRING ANY DAMAGE CAUSED BY CONTRACTOR'S OPERATIONS. THE BRIDGE DECK CONSISTS OF 2x6 DECKING AND IS NOT DESIGNED TO SUPPORT HEAVY LOADS. CONTRACTOR SHALL PROVIDE ADDITIONAL PLATING OR OTHER PROTECTION TO PROTECT DECK FROM CONSTRUCTION EQUIPMENT. COST FOR PROTECTION IS INCIDENTAL TO WATERLINE CONSTRUCTION.



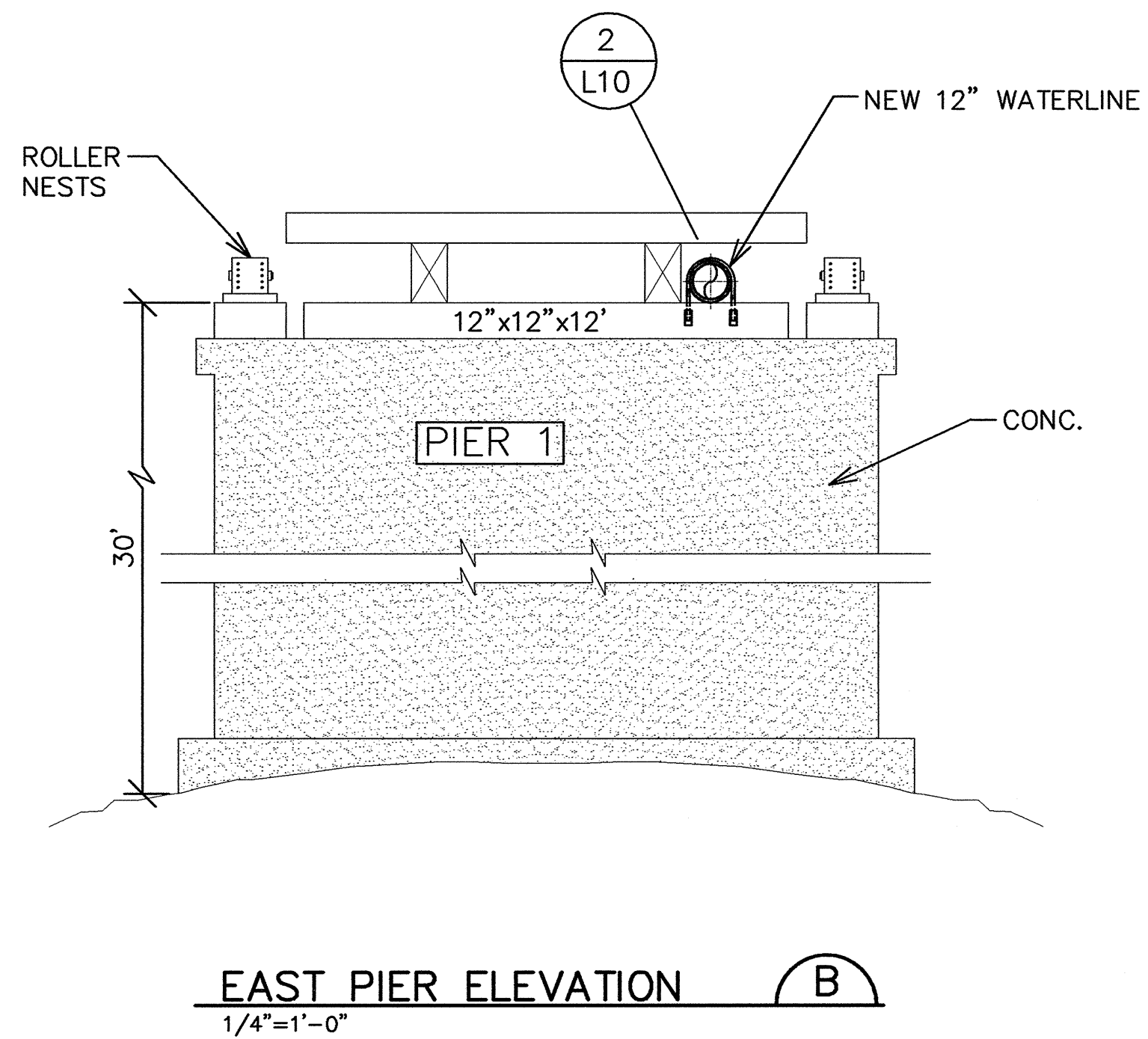
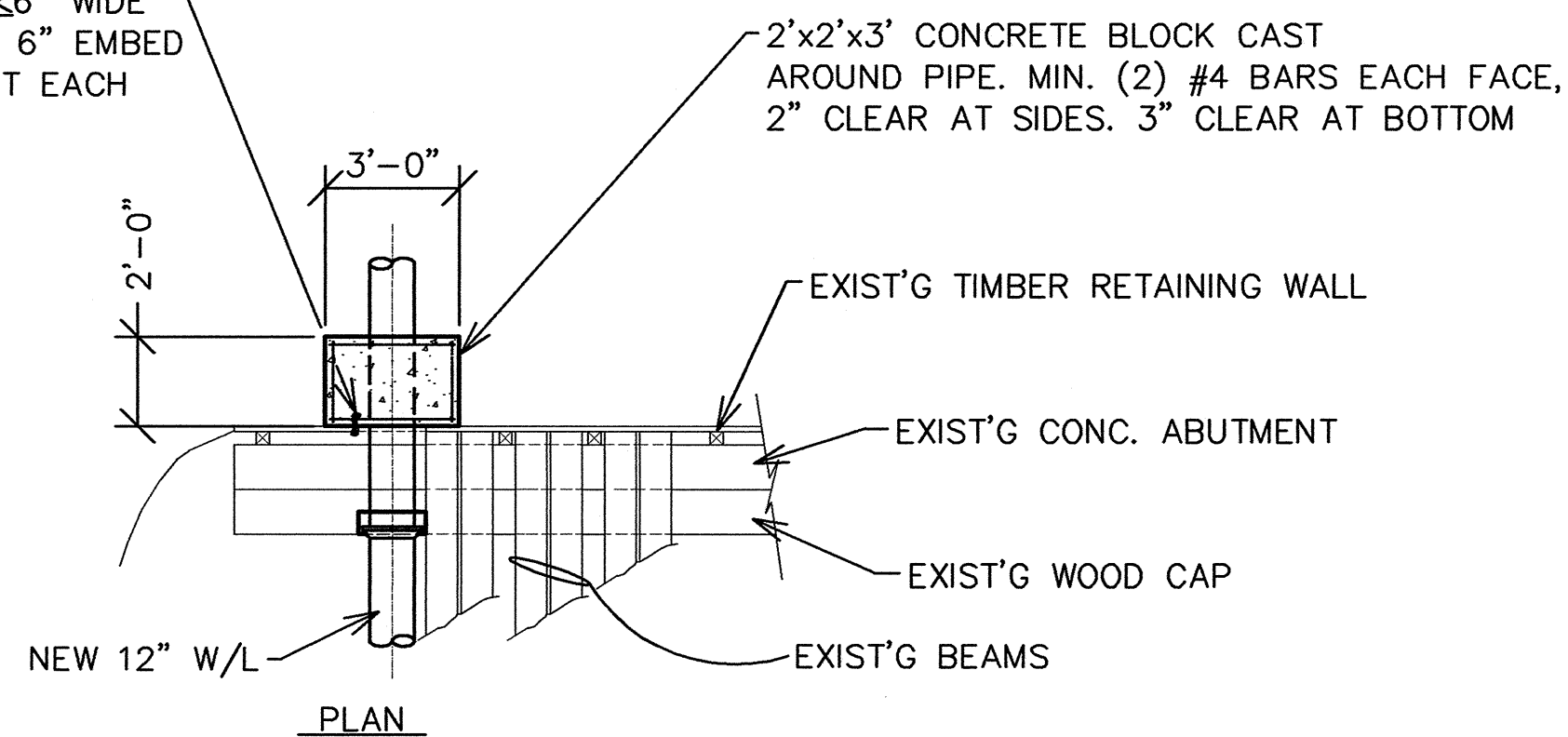
AS-BUILT

COMPILED FROM:

FINAL PROOF SURVEY _____
 DATA FURNISHED BY CONTRACTOR
 FIELD INSPECTION RECORDS
WESTECH ENGINEERING, INC.
 DATE: SEPT. 04 BY: MDP

5/8" DIA. ANCHOR BOLT CAST INTO CONC. BLOCK (1) IN TIMBER ≤6" WIDE AND (2) IN TIMBER >6" WIDE. MIN. 6" EMBED PROVIDE HEAVY 2" DIA. WASHER AT EACH ANCHOR BOLT.

NOTES:
THIS DETAIL APPLIES TO BOTH ENDS OF THE BRIDGE.



NO.	DATE	DESCRIPTION	BY
1	5/20/03	AGENCY REVIEW SET	RCE
2	6/6/03	BID SET	MDP

VERIFY SCALE
BAR IS ONE INCH ON ORIGINAL DRAWING
IF NOT ONE INCH ON SCALES ACCORDINGLY

DRN. MDP
CHK. RCE/SAW
DATE: MAR. 2003



WESTECH ENGINEERING, INC.
CONSULTING ENGINEERS AND PLANNERS

WE

3841 Fairview Industrial Dr. S.E., Suite 100, Salem, OR 97302
 Phone: (503) 585-2474 Fax: (503) 585-3986
 E-mail: westech@westech-eng.com

CITY OF MILL CITY, OREGON
MILL CITY WATER IMP. PROJECT-WATERLINES
BRIDGE CROSSING DETAILS

SHEET
L9 OF 10
JOB NUMBER
1780.4060.0

MDP
ENGINEERS, INC.
CONSULTING STRUCTURAL ENGINEERS

1045 13th ST. SE. PH: (503) 399-1399
SALEM, OREGON 97302 FAX: (503) 399-8259

